

Recent EPS Implementations Using ns-3

**Workshop on Simulation and Prototyping Environments for Mobile/Wireless Research
Aachen 14.07.2011**

S. Frei, University of Plymouth, United Kingdom, sandra.frei@plymouth.ac.uk

W. Fuhrmann, University of Applied Sciences Darmstadt, Germany, w.fuhrmann@fbi.h-da.de

A. Rinkel, University of Applied Sciences Rapperswil, Switzerland, arinkel@hsr.ch

B. Ghita, University of Plymouth, United Kingdom, bogdan.ghita@plymouth.ac.uk



Content

- Simulation Capabilities and Possibilities of ns-3
- Recent EPS Implementations using ns-3
- Experiences gained with ns-3
- Further Development Plans
- Conclusion

Simulation Capabilities and Possibilities of ns-3

What is ns-3?

- ns-3 is discrete event based network simulator for IP-based systems
- Open source project
- Not backwards compatible with ns-2
- Developed from scratch
- Programming language: C++, (Python is optionally available)

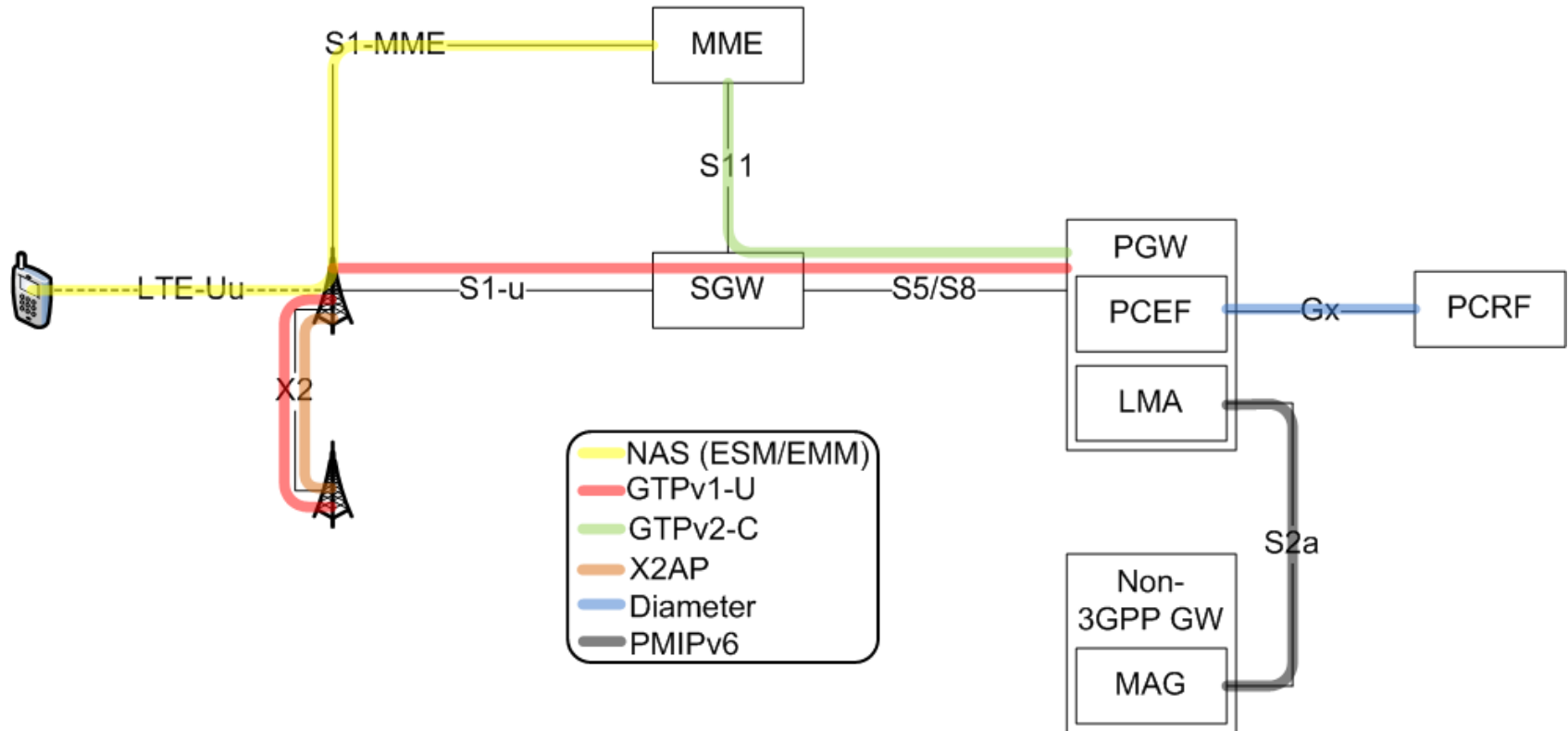
Simulation Capabilities and Possibilities of ns-3

The main advantages compared to ns-2

- The ability of doing emulations with ns-3. ns-3 can send/receive data traffic to/from real networks or other virtual machines.
 - Ns-3 implementations align with real systems like sockets, devices and driver interfaces
- Porting source code from a former to a new release can be done much easier than it is with ns-2.
 - This is a result of the decoupled, modular software architecture from ns-3
- Feasible integration of new modules
- Protocol implementations can be done close to a bit-by-bit implementation.
 - This enables the generation of pcap files, which can be read by tracing tools (e.g. Wireshark)

Recent EPS Implementations using ns-3

Focus of our recent EPS implementations:



Further Development Plans

Short-term goal:

- Enable EPS protocol implementations, which most are stand alone building blocks, to interwork with each other.
- Extending the existing protocols with useful use cases.

Mid-term goal:

- New protocol implementations (a candidate is the IEEE defined Media Independent Handover (MIH))
- Extend existing protocol implementations to enable inter-system handovers.

Conclusion

- Due to the close to reality implementations we expect to gain comparable simulation results.
- ns-3 implementations can interwork with real world devices or also other simulation environments.
- The possibilities of ns-3 are impressive and the more protocols are implemented the more comprehensive and precise simulation results can be gained.

Thank you

Questions?